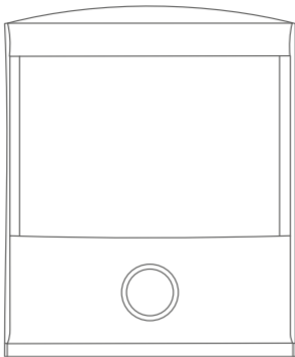




User Guide



Smart Motion Sensor

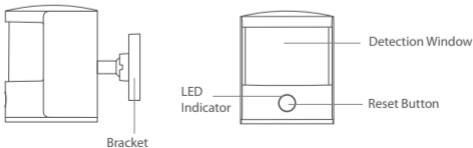
Thanks for using Aztech Kyla product
If you need support or help, please visit www.kyla.aztech.com

Packing List

- Motion Sensor
- Bracket
- User Guide
- Warranty Card
- Screws Pack
- AA Battery x 2

Product Description

The Smart Motion Sensor is based on the human body's infrared spectrum detection technology. It can detect heat and movement in the surrounding areas, creating a protective "grid". If a moving object blocks too many grid zones and the infrared energy levels change rapidly, the sensor is triggered. Pair with the Smart Zigbee Hub and Aztech Kyla App for an easy home security defense system.



LED States

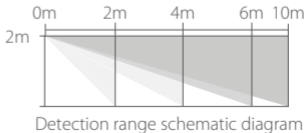
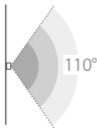
LED Slowly Blinks Once per Second: Device is searching for network

LED Blinks Once: Detection and alarm

LED Blinks Once per 3 Seconds: Low battery, replace batteries as soon as possible

Note: The battery standby time is about 8-12 months

Detection Range



Operation Guide

Step 1:

Download Aztech Kyla App from Google Play/App Store



Step 2:

Login to Aztech Kyla App, then add "Smart Motion Sensor" to device list to enable the device.

Step 3:

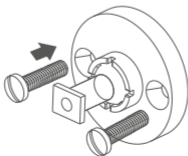
Open the sensor base cover and insert the battery. The device will start up immediately.



Step 4:

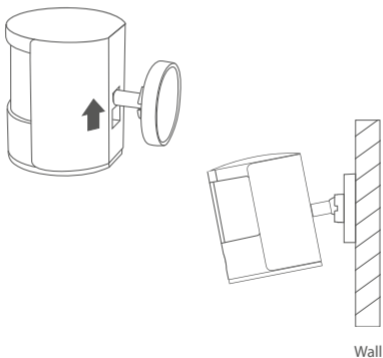
Secure the detector bracket on the wall.

Recommended installation height: 2m above ground.



Step 5:

Use the notch at the back of the sensor to clamp the bracket and secure it. Adjust the sensor bracket's direction to maximize the detection range.



Installation Tips

1. Choose the correct installation direction
The infrared sensor has the highest detection sensitivity when perpendicular to the walking direction.
To achieve the best results, please choose the most appropriate position and direction according to the actual situation and reference range diagram for installation.
2. Do not point towards heat or cold sources
The infrared detection is closely related to temperature. An unstable ambient temperature may trigger a false alarm. Therefore, the infrared devices should be installed away from heaters, air conditioners, refrigerators or any possible heat and cold sources.
3. Do not point towards moving objects
Moving objects may trigger a false infrared alarm.

Technical Specifications

Product Dimensions:	88 x 90 x 27mm
Colour:	White
Material of Housing:	PC and ABS
Wireless Standard:	2.4GHz, IEEE 802.15.4
Operating Temperature:	-10~50°C
Working Humidity:	10% - 90% RH
Communication Protocol:	Zigbee HA
Communication Speed:	250Kbps
Power Supply:	AA Battery x 2
Detection Range:	± 70° Vertically, ±120° Horizontally
Communication Distance:	80m (in Open Area)

Aztech[®]

©2018 Aztech Technologies Pte Ltd. All rights reserved.